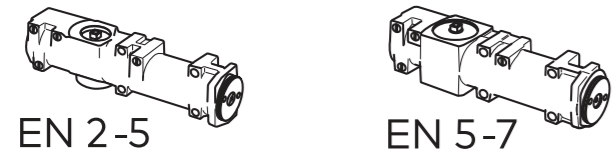


CE	dormakaba GmbH + Co. KG	04
	Postfach 4009	
	58 247 Ennepetal	
	0432-CPR-00026-30	
	EN 1154:1996/A1:2002	4 8 2-5 1 1 4
	AC:2006	4 8 5-7 1 1 4
	DOP_0001/DOP_0002	



IMPORTANT

READ CAREFULLY BEFORE USE

KEEP THE MANUAL FOR FUTURE REFERENCE

"Original instruction manual"

**Target group**  
The door closer may only be installed by technically trained specialists.

**Intended use**  
The TS 93 is exclusively aimed to be used for the controlled closing of single-action doors.

**Limitation of liability**  
The TS 93 may only be used in accordance with its intended use. Modifications to the product or the use of accessories not approved by the manufacturer are not permitted.

**Installation instructions**  
The illustrations in this manual show the installation for DIN-L and DIN-R.

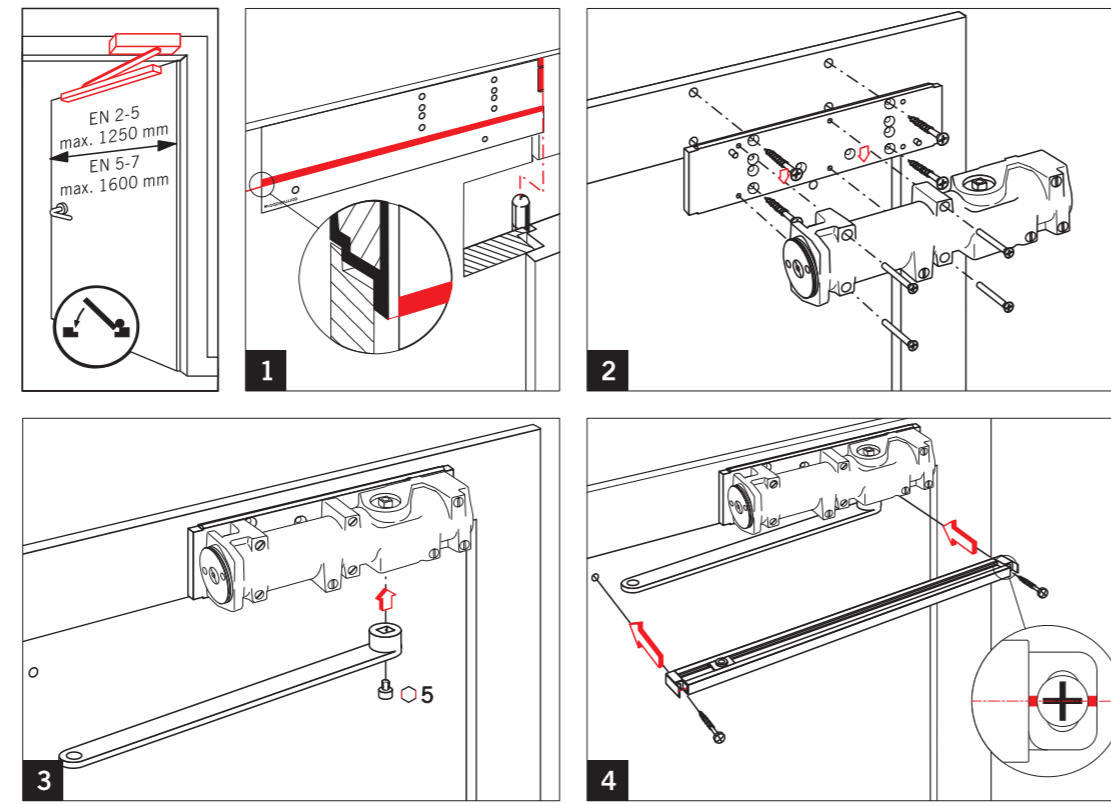
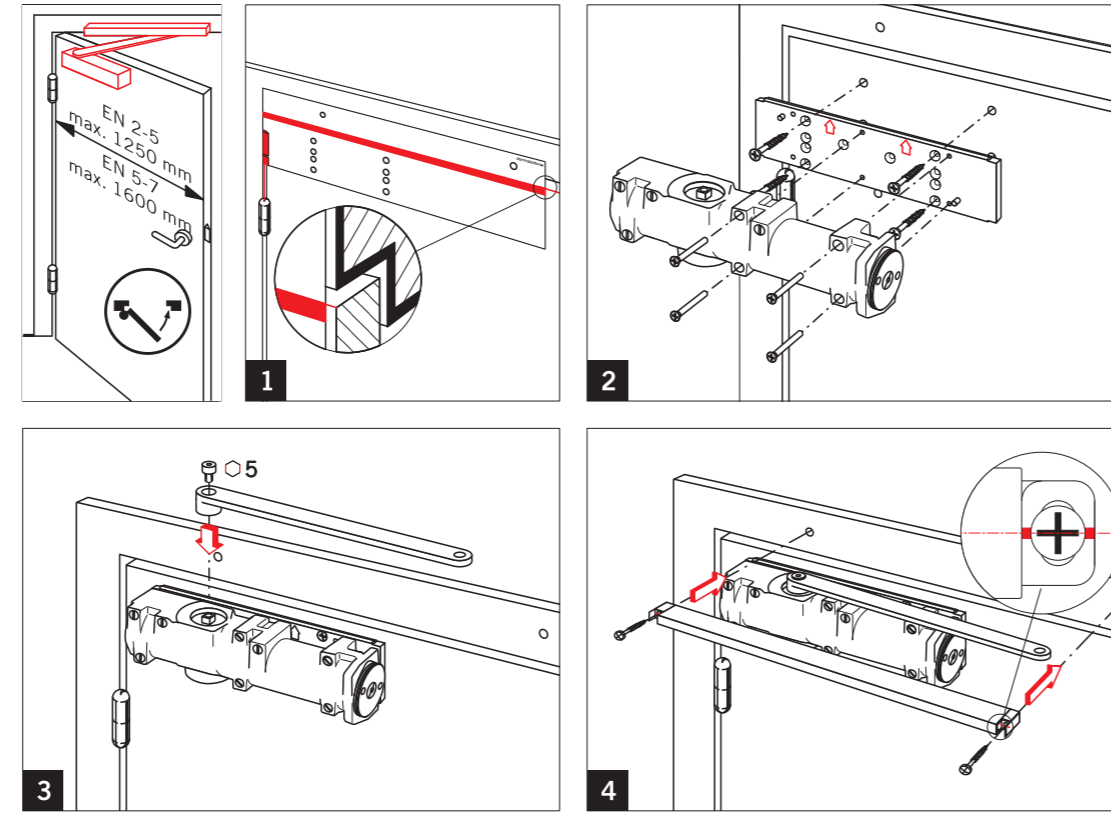
# TS 93 B EN 2-5/ EN 5-7

WN 056604 45532  
2020-01

EN

Mounting instructions

dormakaba Mounting instructions



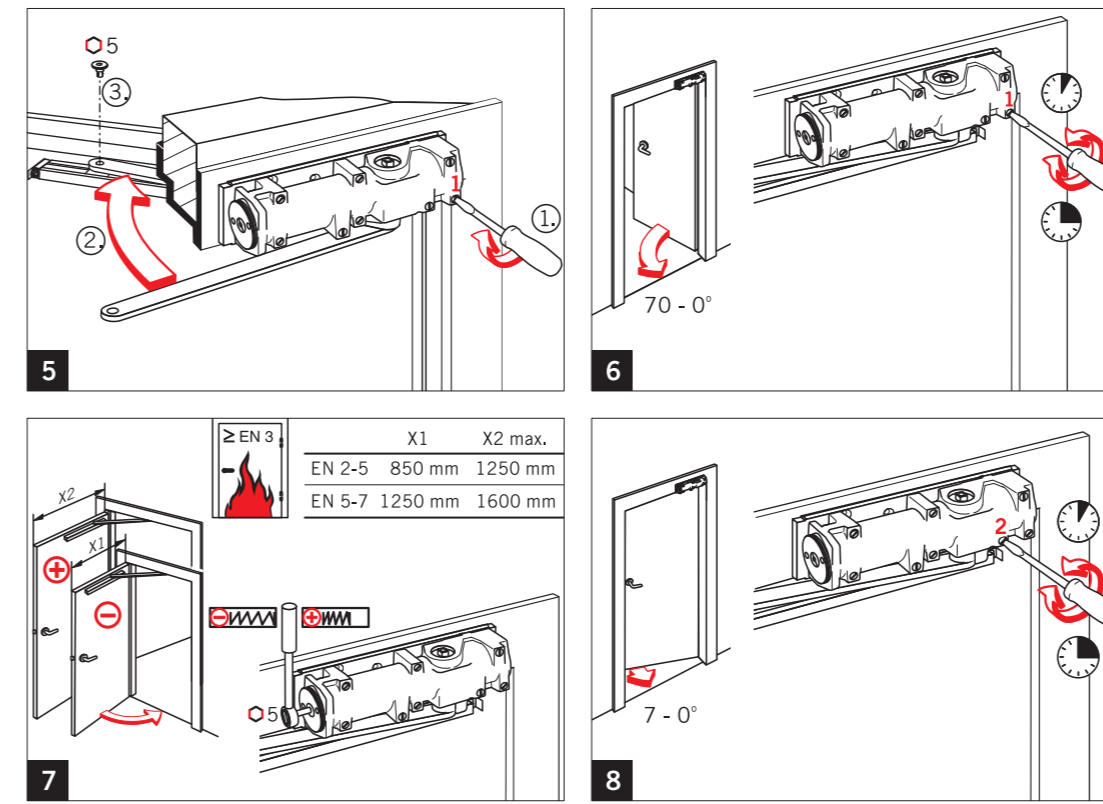
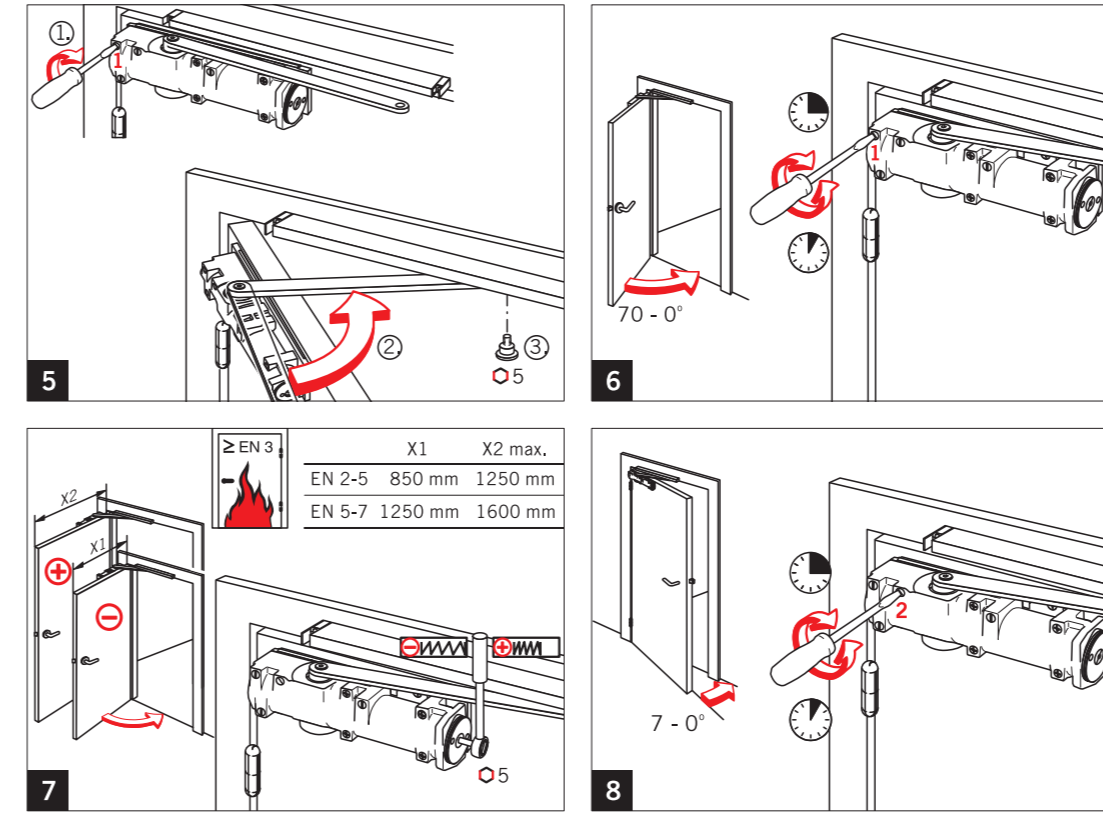
TS 93 B EN 2-5/EN 5-7

WN 056604 45532

2020-01

2

dormakaba Mounting instructions



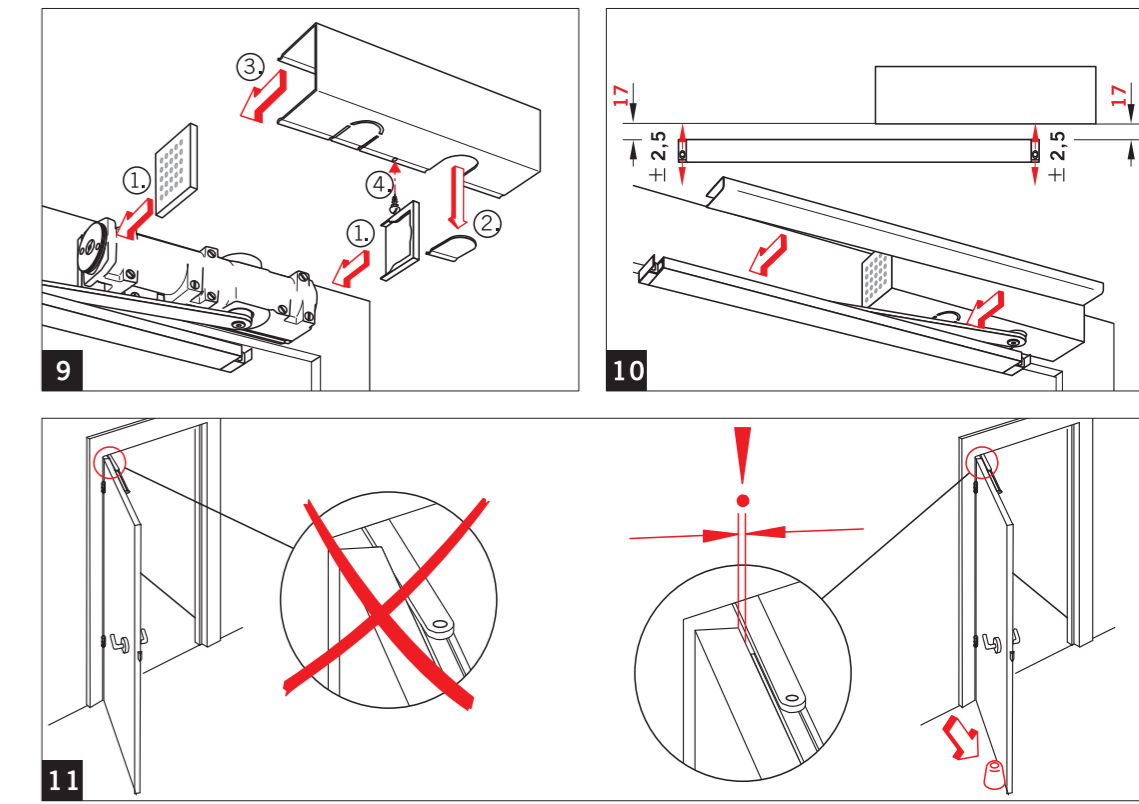
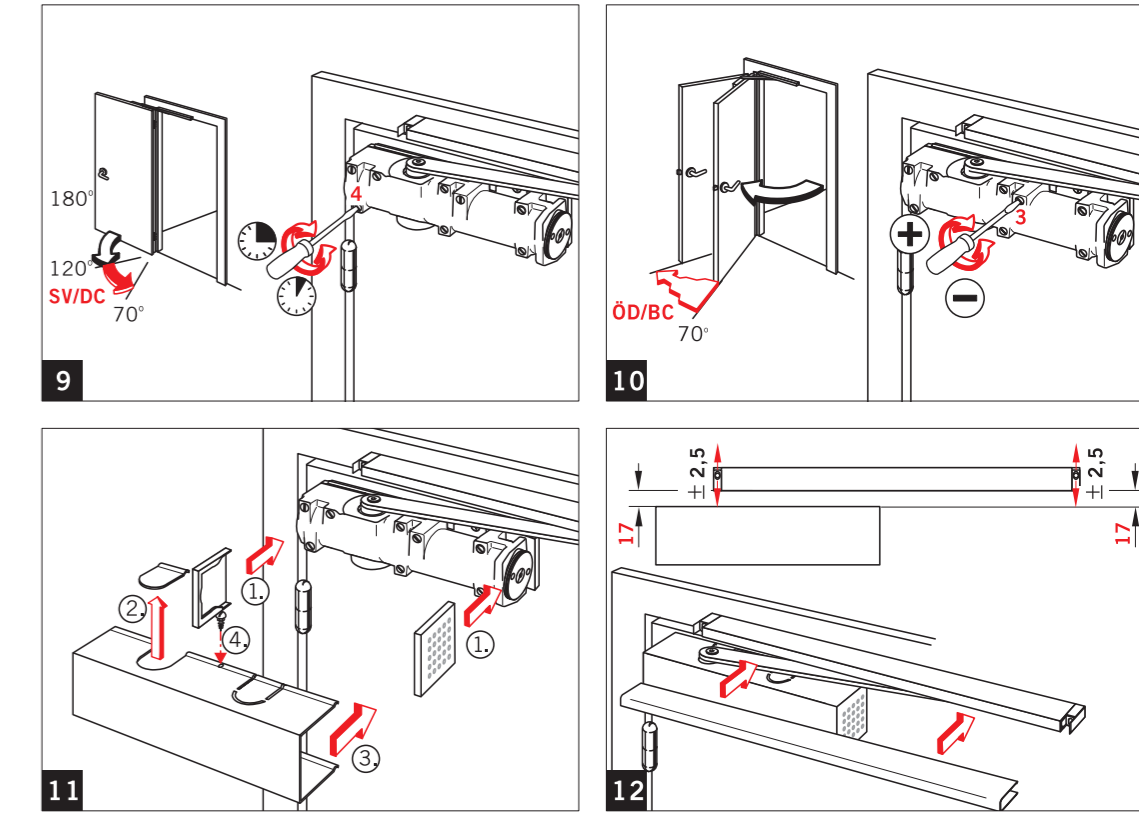
TS 93 B EN 2-5/EN 5-7

WN 056604 45532

2020-01

3

dormakaba Mounting instructions

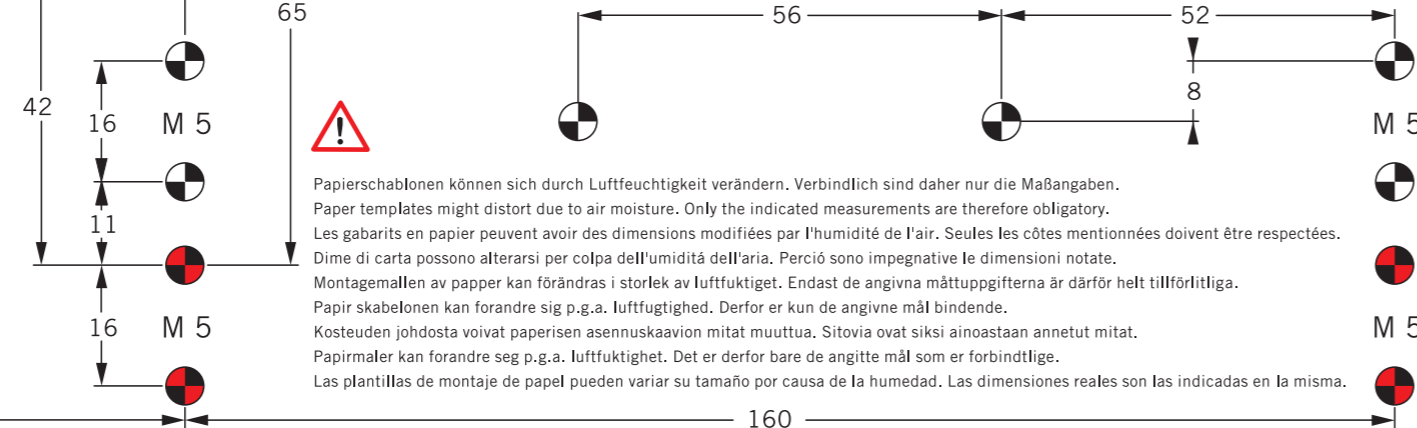
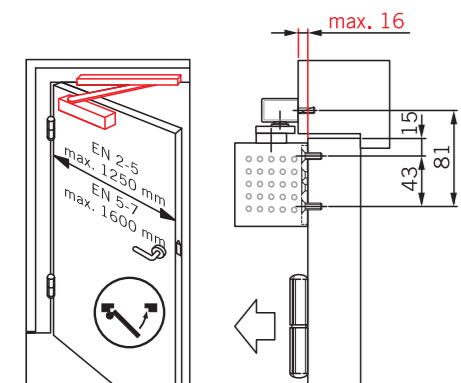
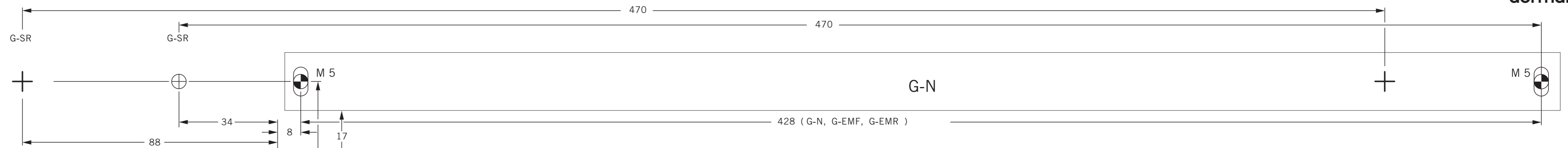


TS 93 B EN 2-5/EN 5-7

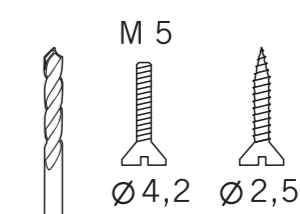
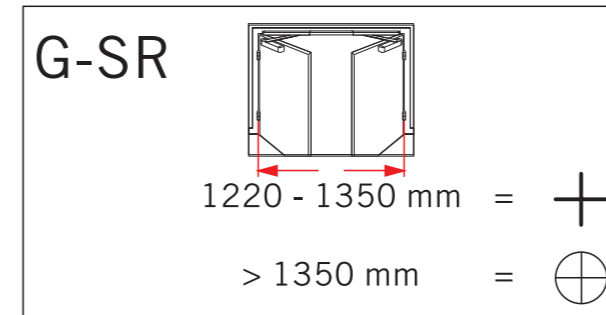
WN 056604 45532

2020-01

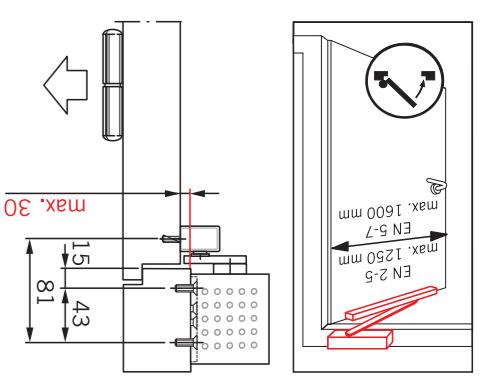
4



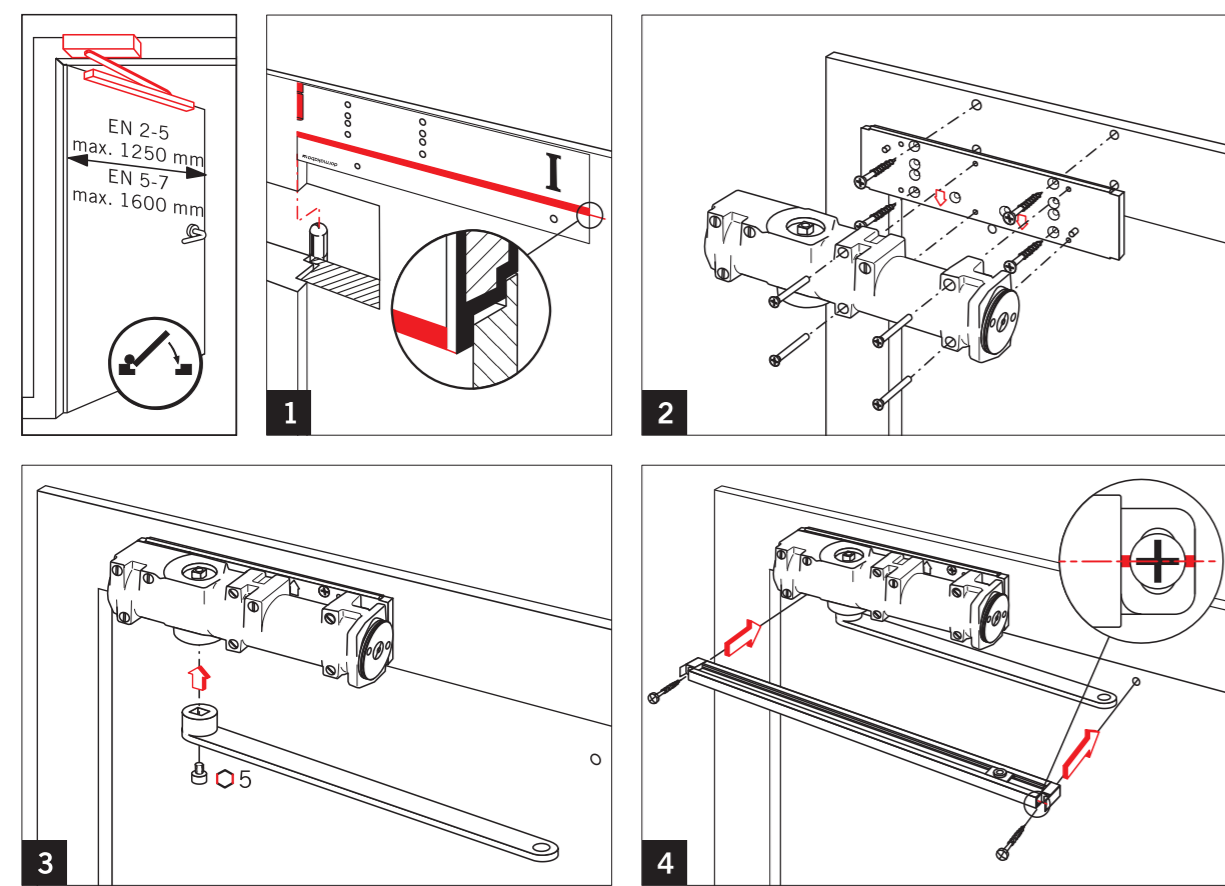
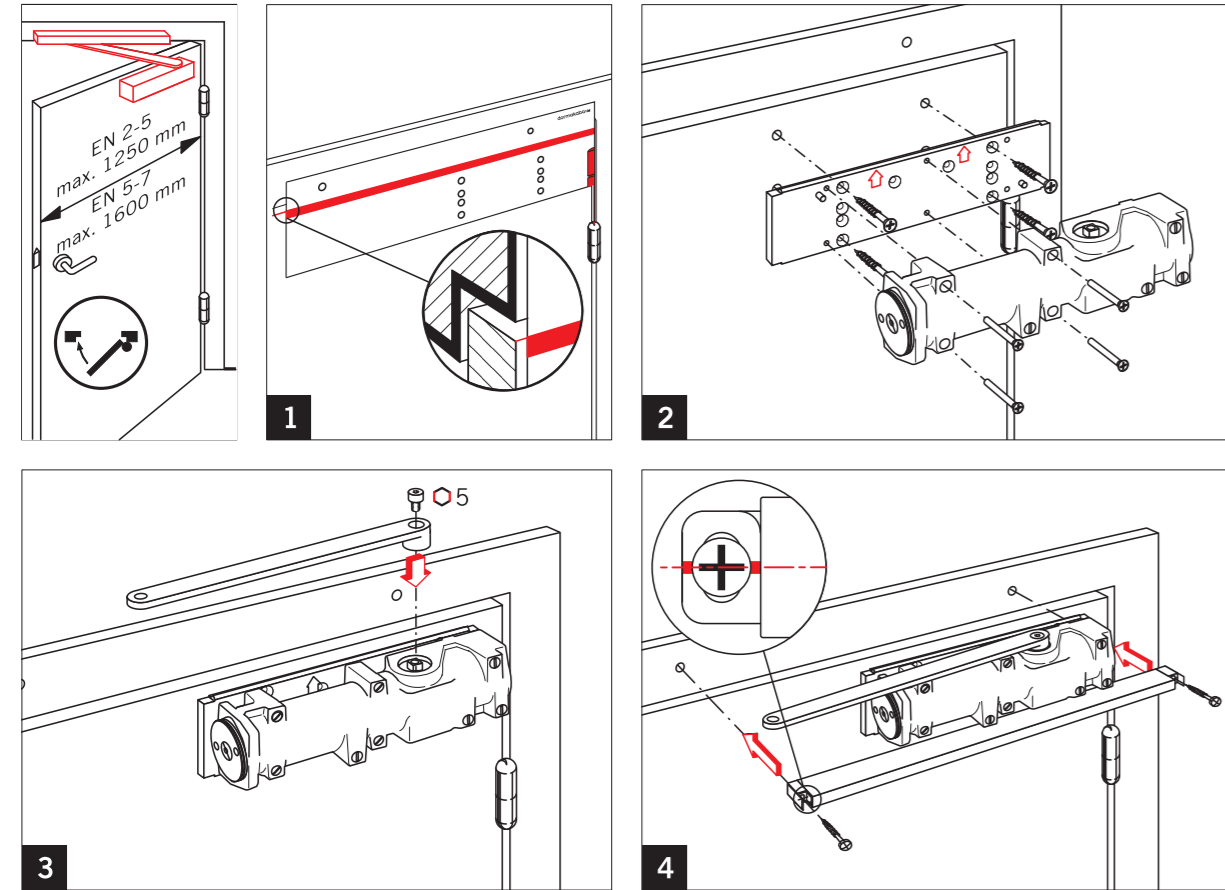
TS 93 B  
EN 2-5/EN 5-7



Lochgruppe gemäß Beiblatt 1 zur DIN EN 1154

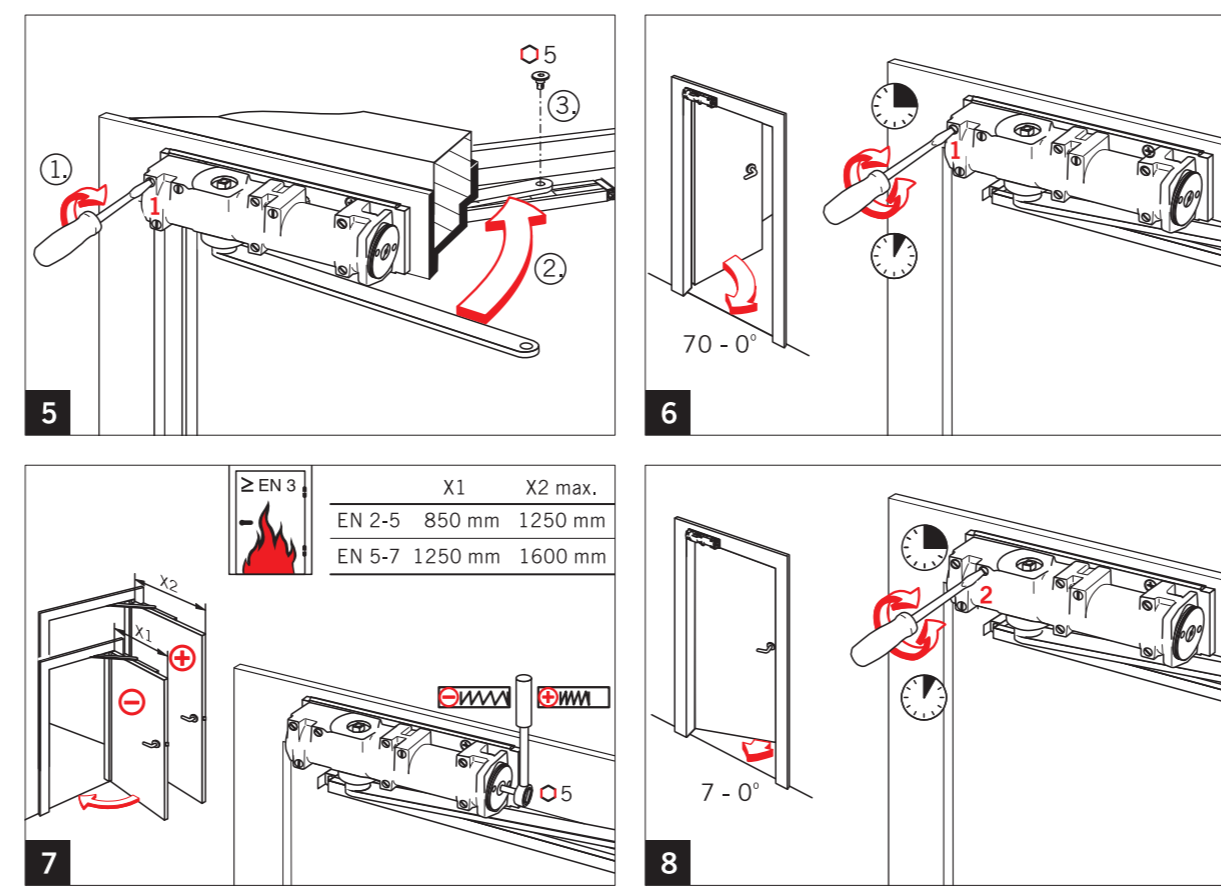
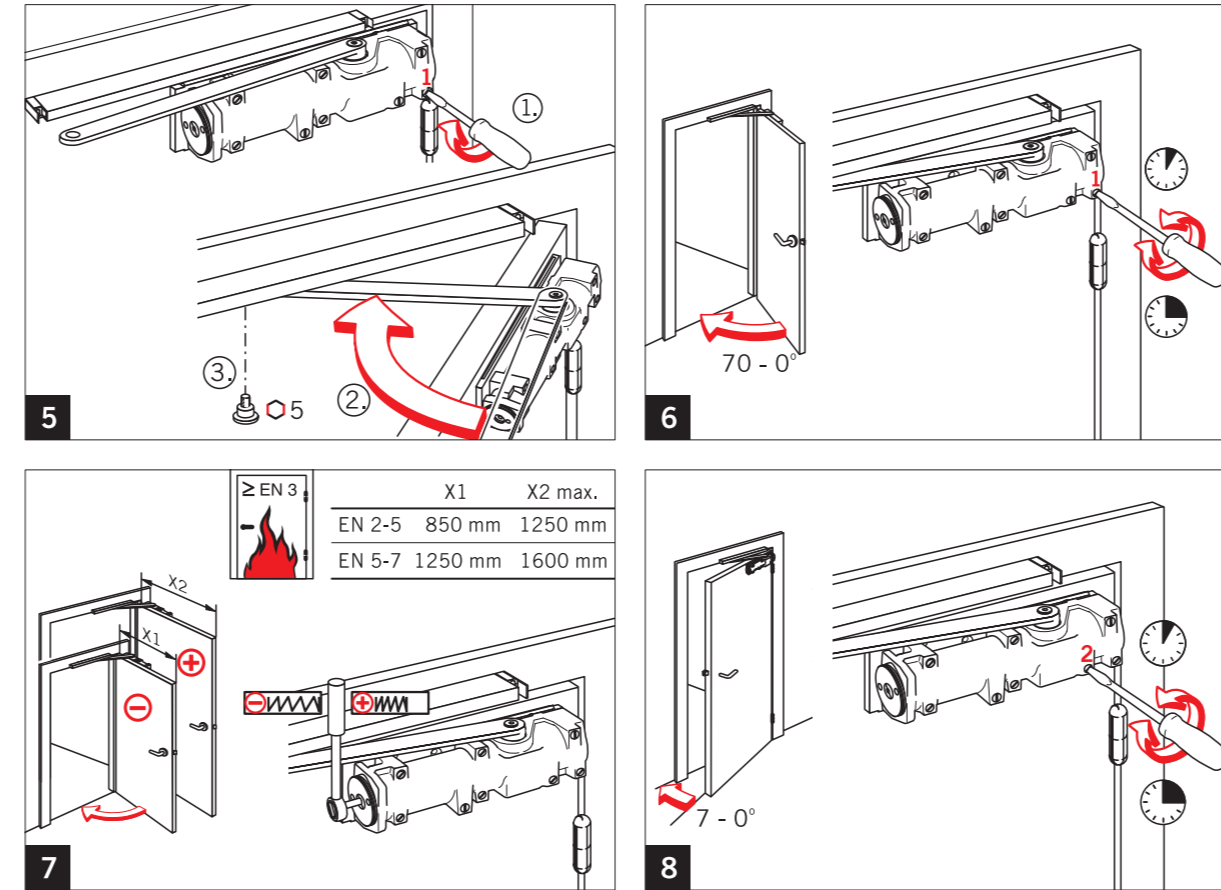


dormakaba Mounting instructions



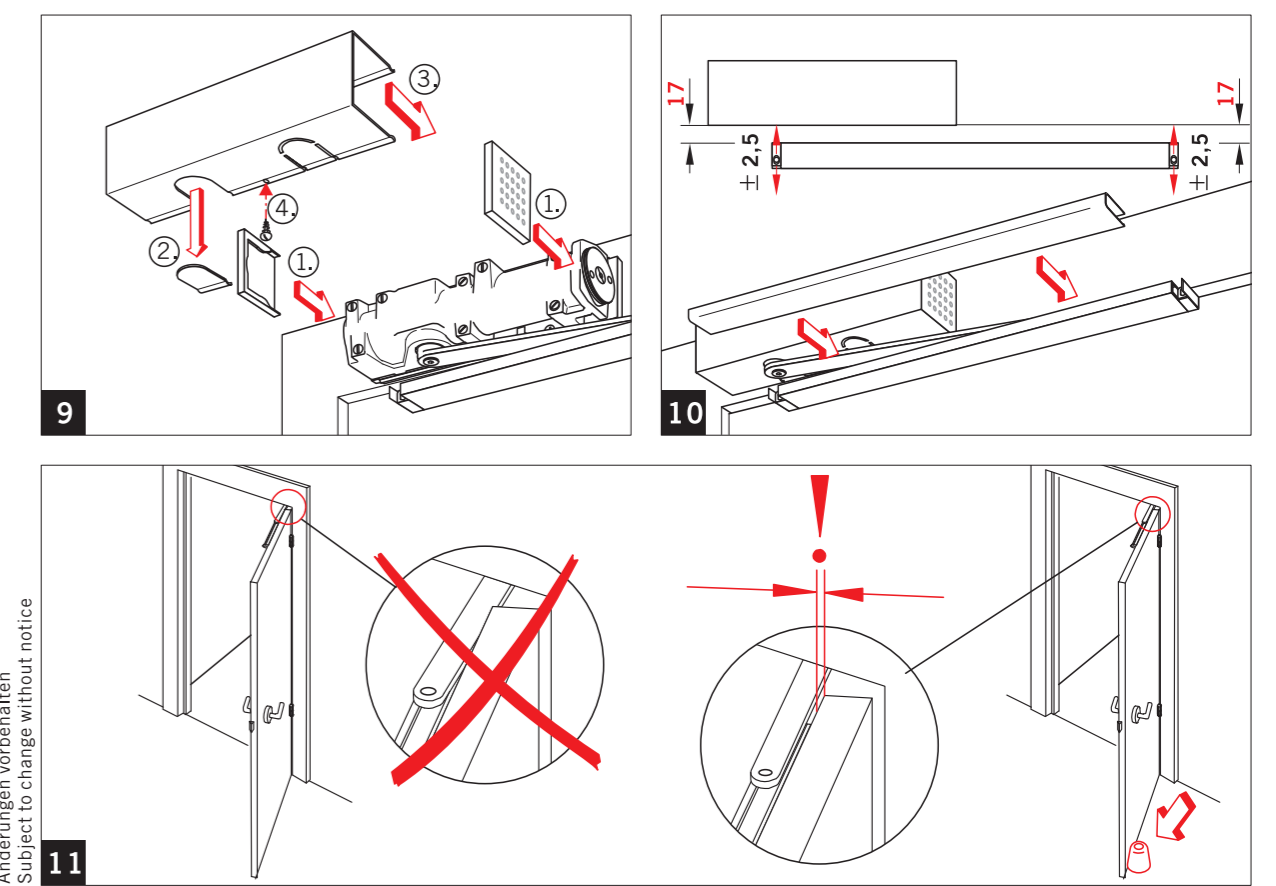
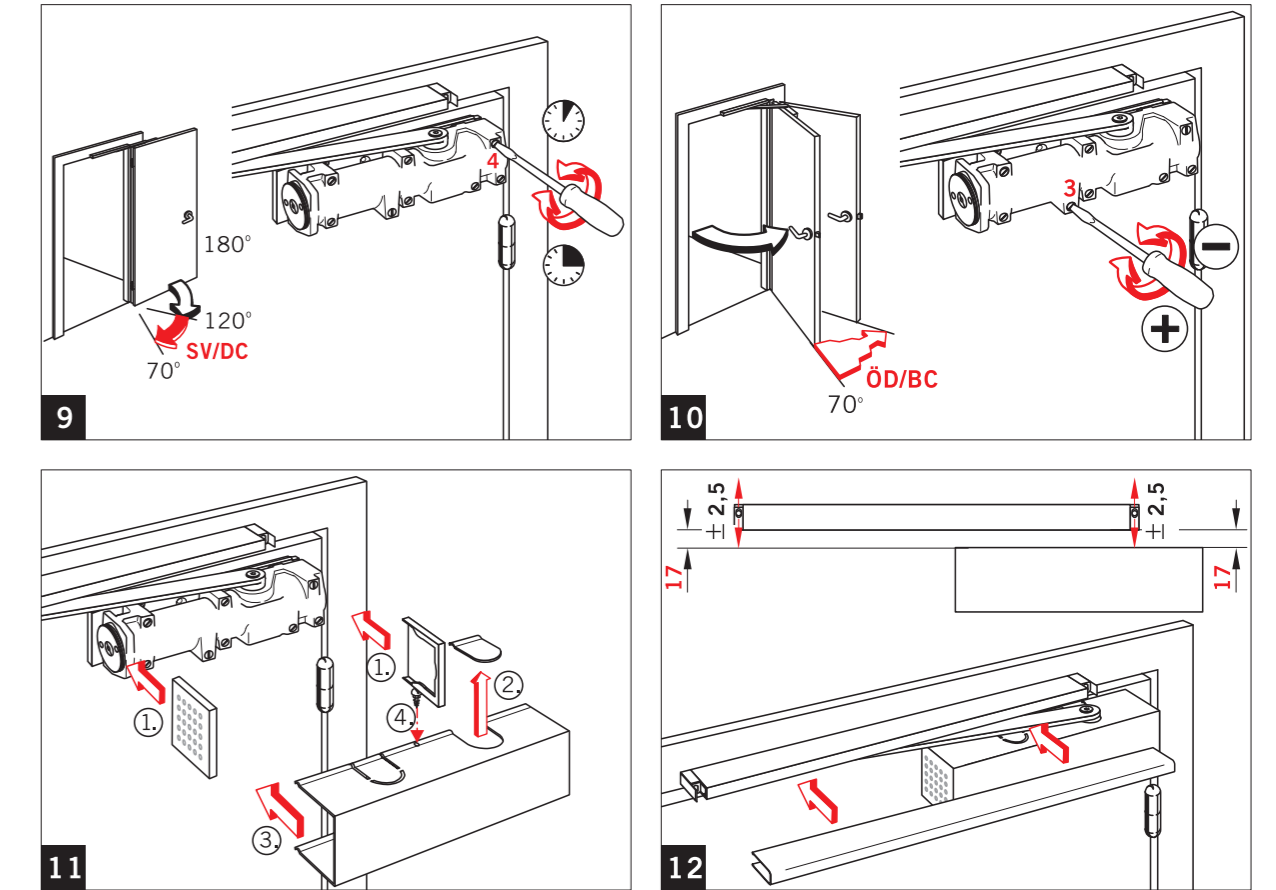
TS 93 B EN 2-5/EN 5-7 WN 056604 45532 2020-01 5

dormakaba Mounting instructions



TS 93 B EN 2-5/EN 5-7 WN 056604 45532 2020-01 6

dormakaba Mounting instructions



dormakaba Deutschland GmbH DORMA Platz 1 58256 ENNEPETAL Tel. +49 2333 793-0 Fax +49 2333 793-4950 www.dormakaba.com

