

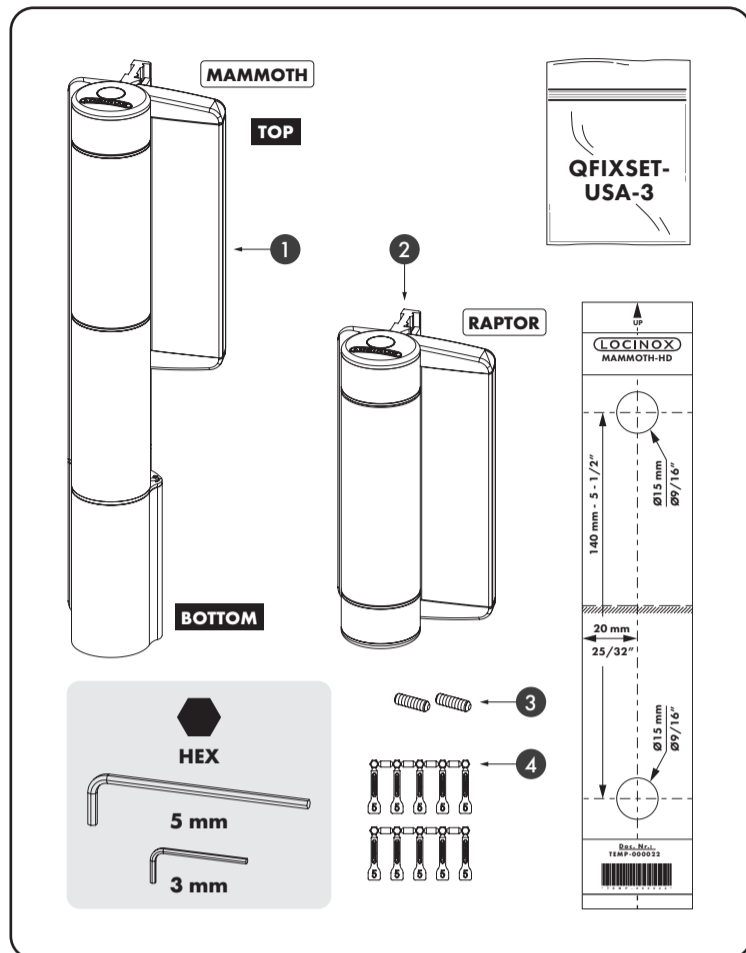
# MAMMOTH-HD (MAMMOTH + RAPTOR)

## RAPTOR (ONLY TO BE USED IN COMBINATION WITH MAMMOTH)



Let's make it better together

### INSTALLATION INSTRUCTIONS FOR SQUARE PROFILES



**!**

THE PRE-MOUNTED QUICK-FIX IS DESIGNED FOR WALL THICKNESSES OF 0.083" UP TO 0.190"

FOR THICKNESSES FROM 0.200" UP TO 0.313", REPLACE THE PRE-MOUNTED QUICK-FIX BY THOSE IN THE QFIXSET-USA-3 BAG. SEE STEP 6 TO DISASSEMBLE THE QUICK-FIX

Min. 0.200"  
Max. 0.313"

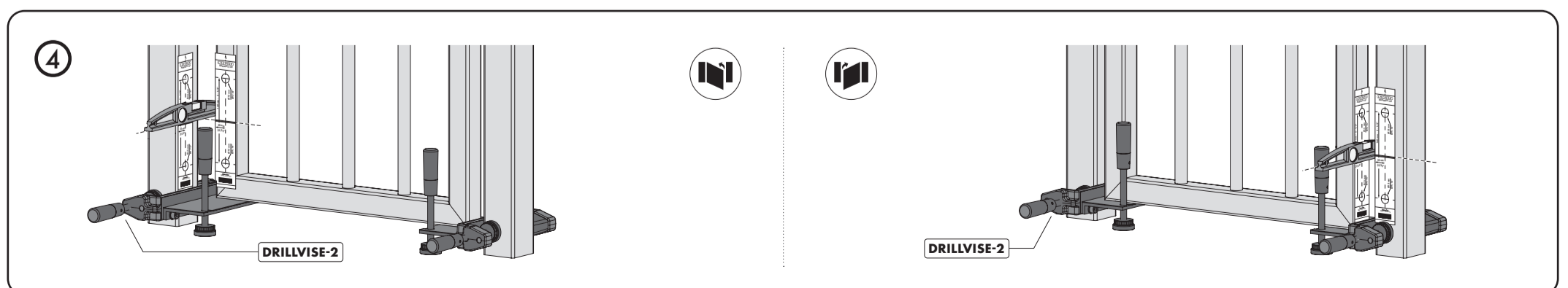
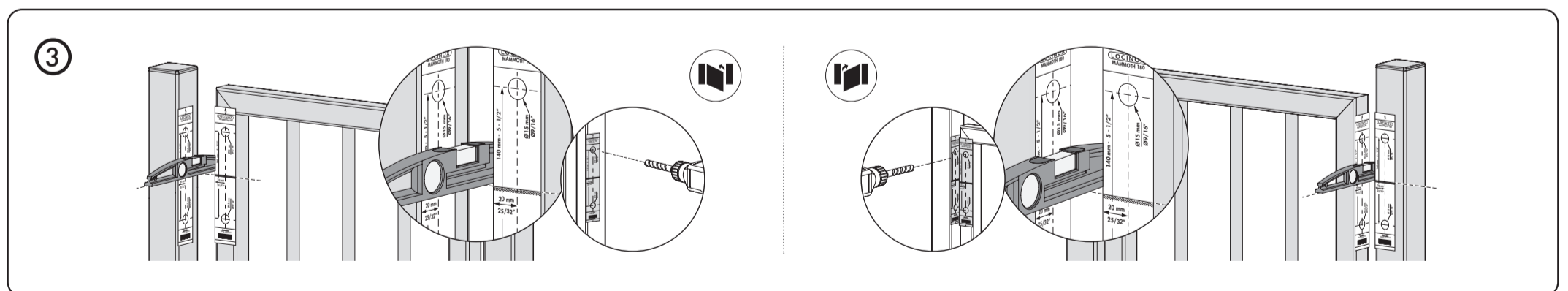
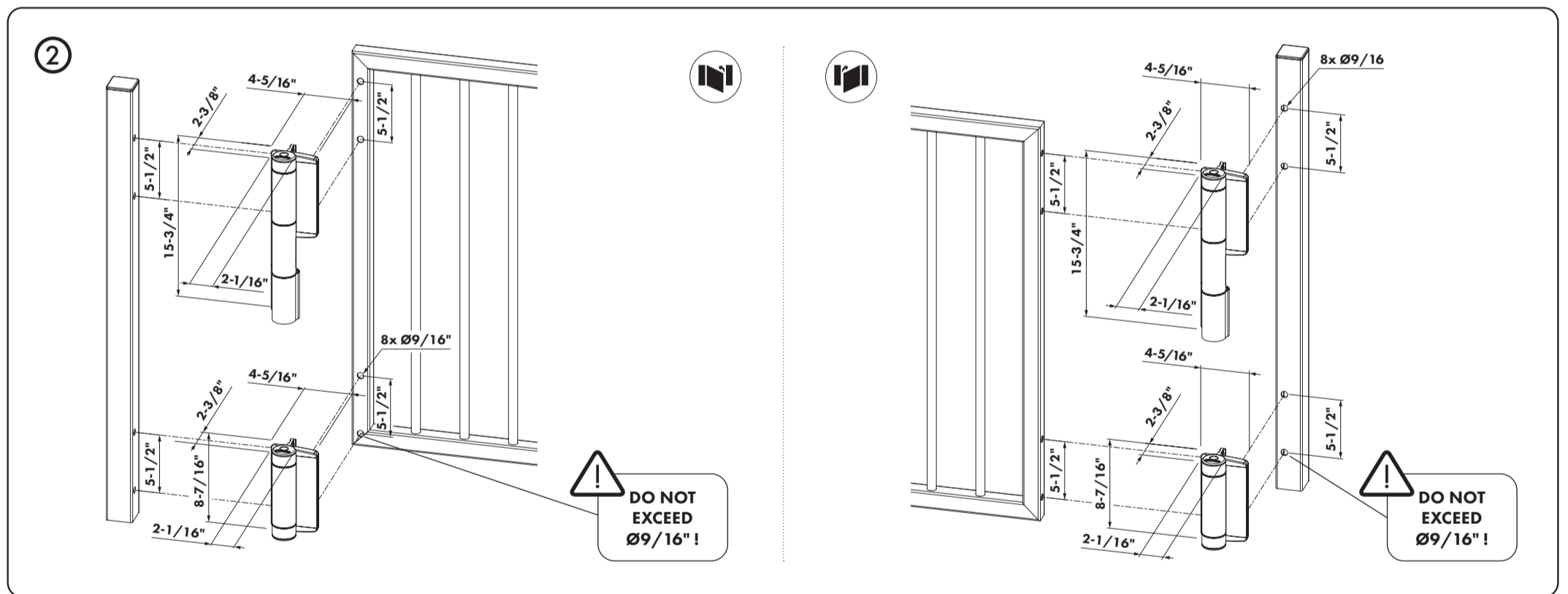
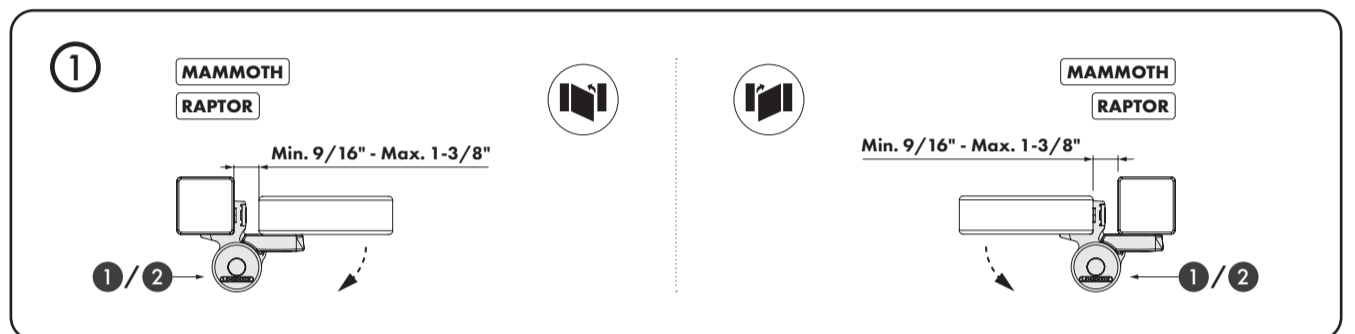
**?** LOCINOX USA

LIVE CHAT  
www.locinoxusa.com

877-LOCINOX

helpusa@locinox.com

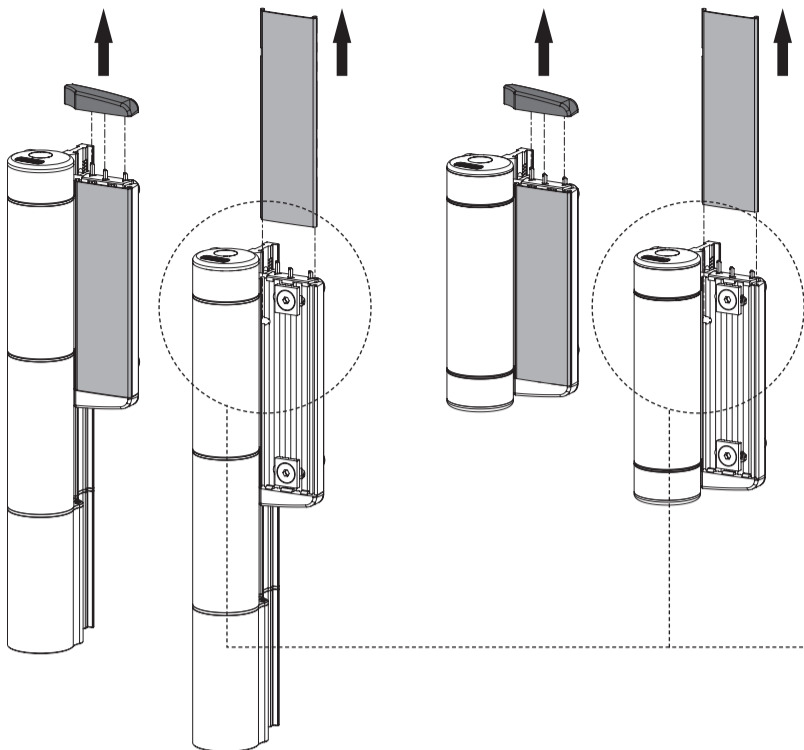
www.locinoxusa.com/mammoth-hd  
www.locinoxusa.com/raptor



5

MAMMOTH

RAPTOR

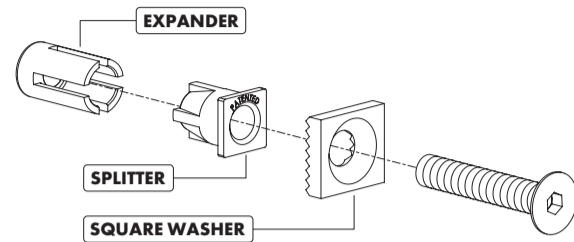


REMOVE THE COVER CAPS FIRST TO REPLACE THE QUICK-FIX IF REQUIRED

6



ONLY FOR WALL THICKNESSES FROM 0.200" UP TO 0.313". REPLACE THE PRE-MOUNTED QUICK-FIX BY THOSE IN THE QFIXSET-USA-3 BAG

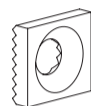


1

REMOVE EXISTING QUICK-FIX WHERE NEEDED. DISCARD EXPANDER, SPLITTER, BOLT (KEEP WASHER!)

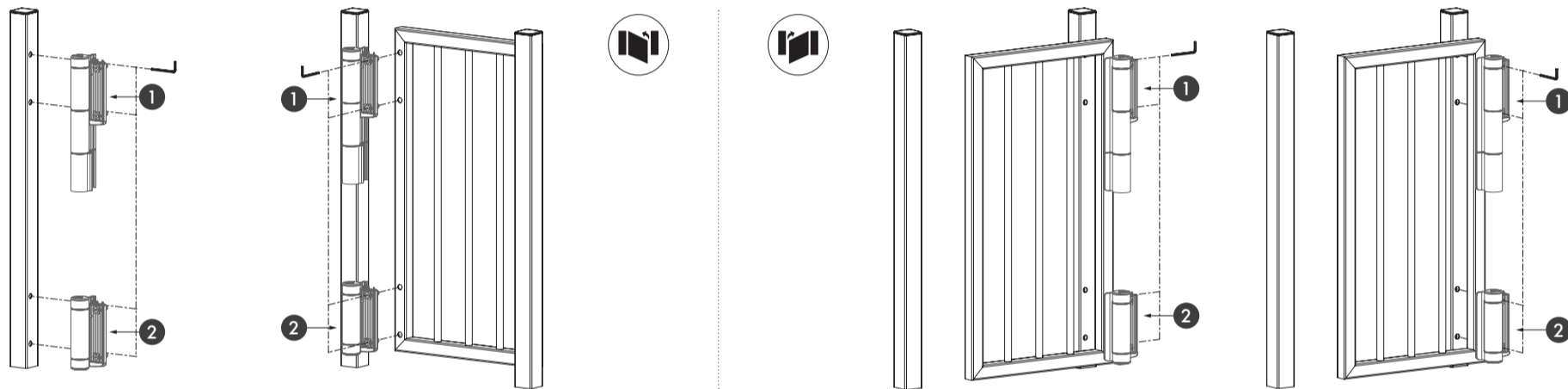
2

REPLACE WITH QFIXSET-USA-3 AND REUSE THE SQUARE WASHER



7

HEX 5mm

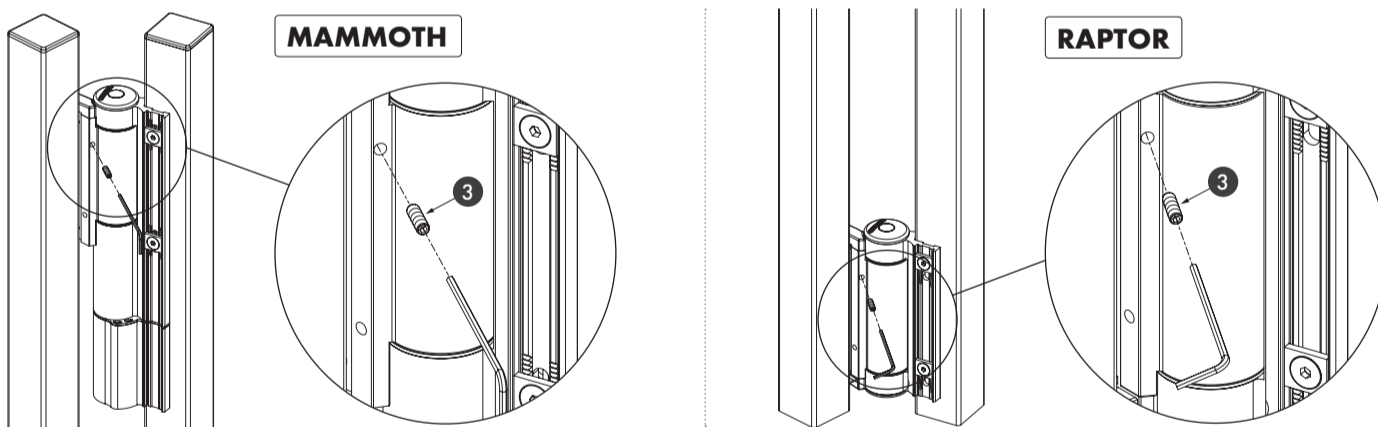


8

MAMMOTH

RAPTOR

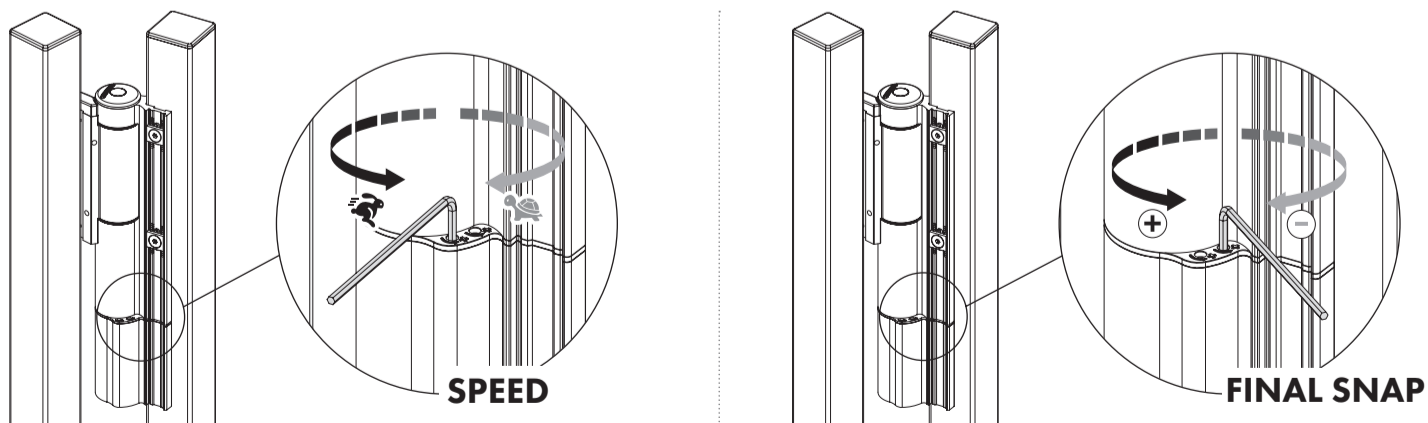
HEX 3mm



RE-INSTALL THE COVER CAPS AND LOCK THE QUICK-FIX COVER WITH SET SCREW

9

HEX 3mm



SPEED

FINAL SNAP



[pictures@locinox.com](mailto:pictures@locinox.com)

SUCCESSFUL INSTALLATION?

Please send us your pictures & videos

INSTALACION EXITOSA?

Por favor envíenos sus fotos y videos

**LOCINOX**

Let's make it better together

Doc. Nr.: MANU-000424

Locinox USA • 460 Windy Point Drive • Glendale Heights • IL 60139  
Tel. 877-LOCINOX • E-mail: salesusa@locinox.com



MANU-000424